

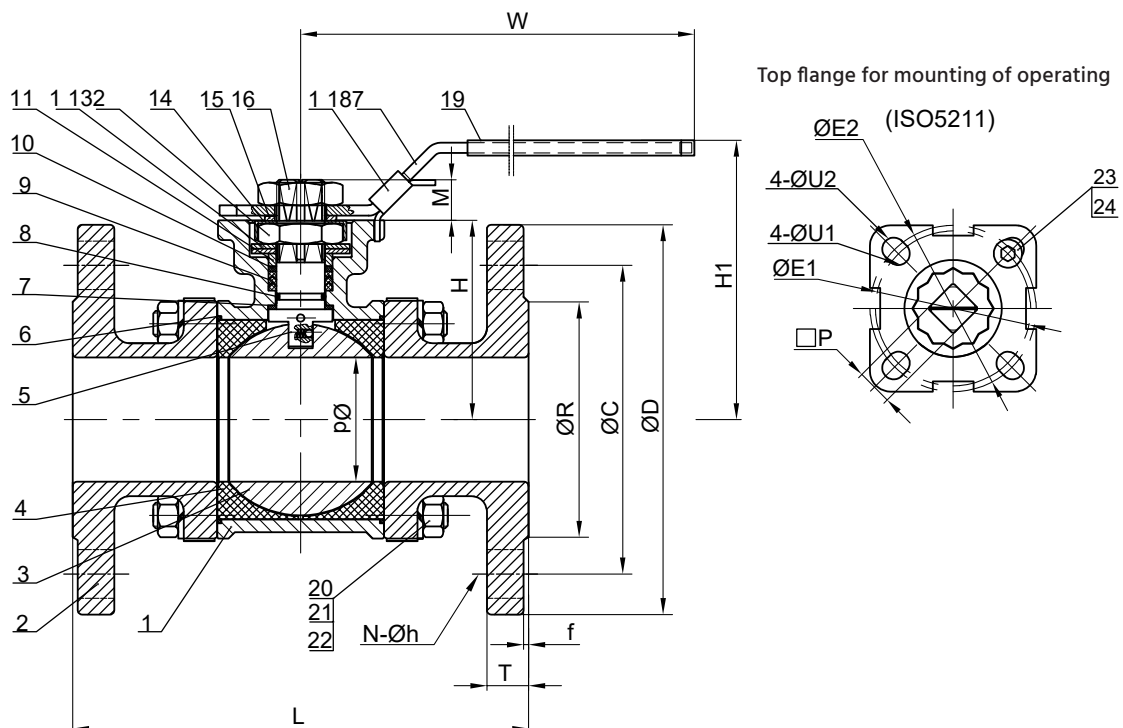


DESIGN

- according to EN12516-1
- full bore
- 3-PC body, floating ball, TFM 1600 seats
- ISO5211 top flange for direct mounting of operating locking device
- spindle protected against firing in case of overpressure compensating hole preventing the concentration of pressure in the space between ball and body
- antistatic (ball- spindle - body)
- face to face acc. to EN558-1, serie 1
- flanges acc. to EN1092-1
- testing according to EN12266-1 P10, P11, P12 tightness A (water, air)
- production of castings in accordance with technical regulation TUV AD 2000-Merkblatt W0

CERTIFICATION

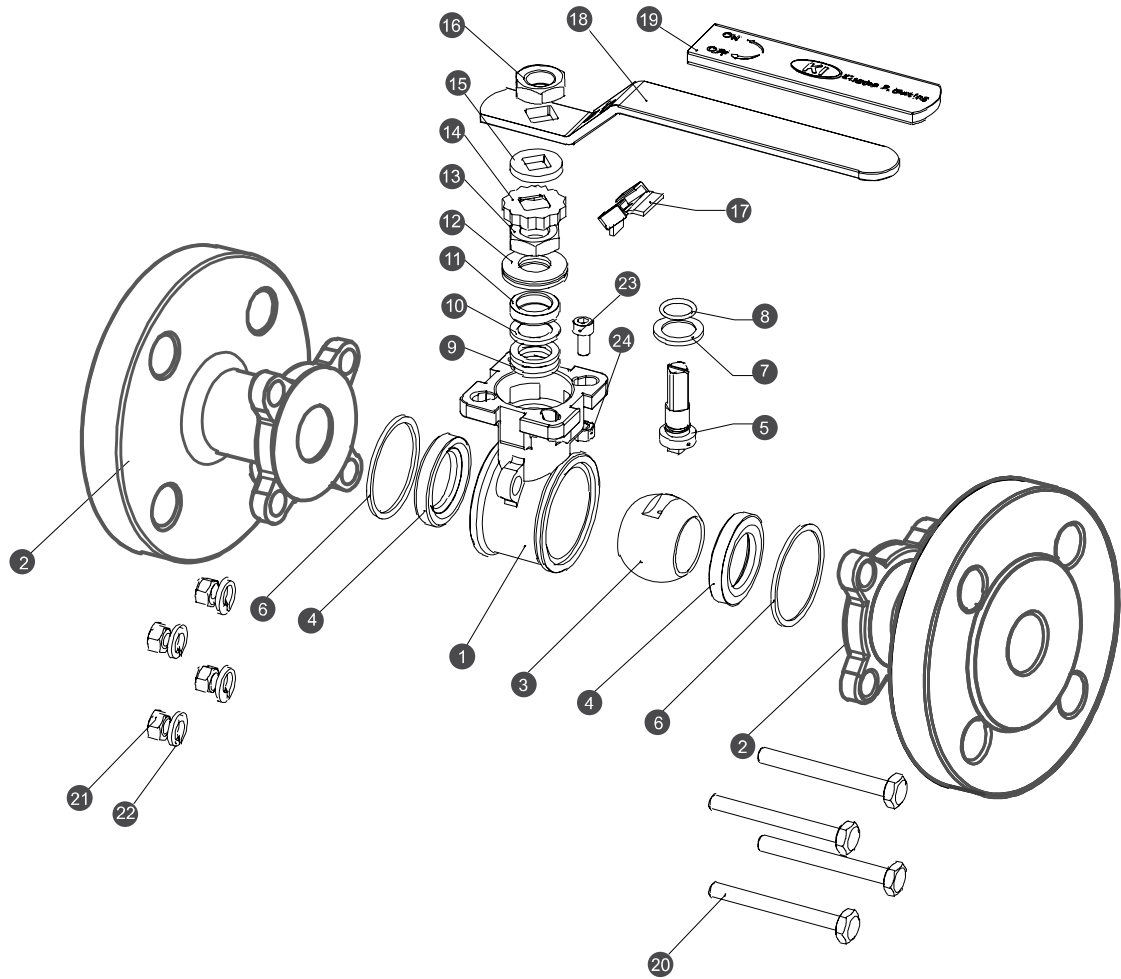
- PED 2014/68/EU
- NACE MR-0175
- TA-Luft/ISO15848-1



GENERAL DIMENSIONS AND WEIGHT

Dimensions are in mm.

DN	d	L	R	D	C	f	T	N	h	H	H1	W	P	M	E1	E2	U1	U2	ISO5211	kg
15	15	130	45	95	65	2	16	4	14	42	72	147	9	9	36	42	6	6	F03~F04	2,16
20	20	150	58	105	75	2	18	4	14	48,5	79	147	9	9	36	50	6	7	F03~F05	3,05
25	25	160	68	115	85	2	18	4	14	58,5	89	177	11	11	42	50	6	7	F04~F05	4,0



CONSTRUCTION AND MATERIALS

Pos.	Component name	Material
1	Body	1.4408
2	Flanged ends	1.4408
3	Ball	CF8M/F316
4	Seats	TFM1600
5	Spindle	316
6	Body sealing	PTFE
7	Axial sliding washer	PTFE
8	O-ring	FKM
9	Packing	PTFE
10	Spacer ring	304
11	Packing case	316
12	Disc spring	301

Pos.	Component name	Material
13	Spindle nut	A194-8
14	Lock washer	304
15	Lever washer	304
16	Lever nut	A194-8
17	Locking device	304
18	Hand lever	304
19	Cover of lever	Vinyl
20	Screws	A2-70
21	Muts	A2-70
22	Washers	304
23	Stop screw	A2-70
24	Stop nut	A2-70

FLOW COEFFICIENT Cv, Kv

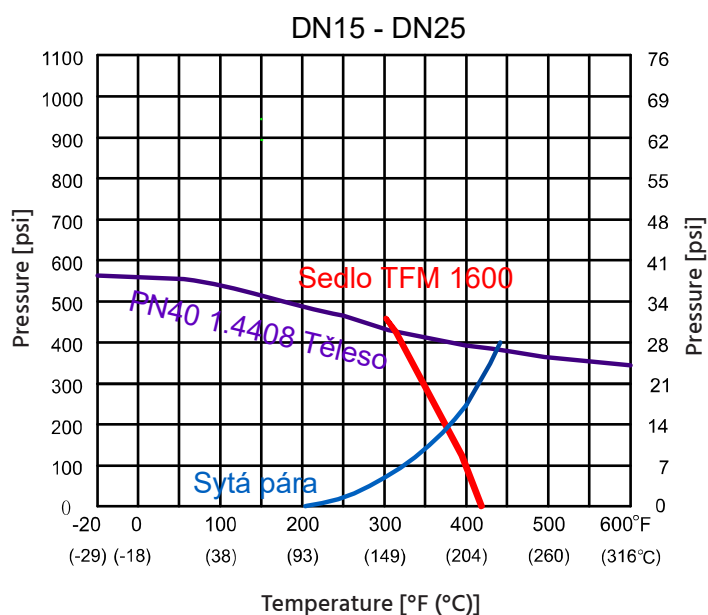
DN	Cv [US gal.mm-1]	Kv [m ³ .h-1]
15	18	15,57
20	36	31,14
25	48	41,52

DEPENDENCE OF TORQUE ON PRESSURE DIFFERENCE ΔP

DN	ΔP_1		ΔP_2		ΔP_3		ΔP_4	
	5 bar	75 psi	10 bar	150 psi	16 bar	300 psi	40 bar	600 psi
	[Nm]	[lb _f -in]	[Nm]	[lb _f -in]	[Nm]	[lb _f -in]	[Nm]	[lb _f -in]
15	5	44	5	5	5	44	5	44
20	6	53	6	6	6	53	6	53
25	10	88	10	10	11	97	11	97

For design of an actuator it is necessary to take into account the safety factor (recommended min. 30%).

PRESSURE-TEMPERATURE DIAGRAM



Sedlo = Seat
 Těleso = Body
 Sytá pára = Saturated steam

CERTIFICATES

ISO 9001

ISO 14001

OHSAS 18001

PED 2014/68/EU

AD2000-WO

AD2000-HP0

AD2000- A4

DNV

SIL 3

TA-Luft

ISO 15848-1

ATEX 94/9/EC

EN 14432

API 6D

API607 / ISO10497

CRN

CU-TR

CCS

TS

Lloyd's Register

Bureau Veritas



The data in the catalog sheet are for information only and the manufacturer reserves the right to make technical changes.